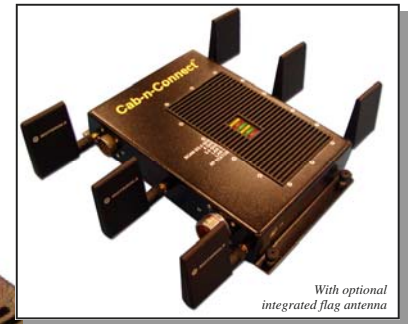


Cab-n-Connect

802.11n Wireless Access Point

Brings 802.11n performance to airborne wireless networks

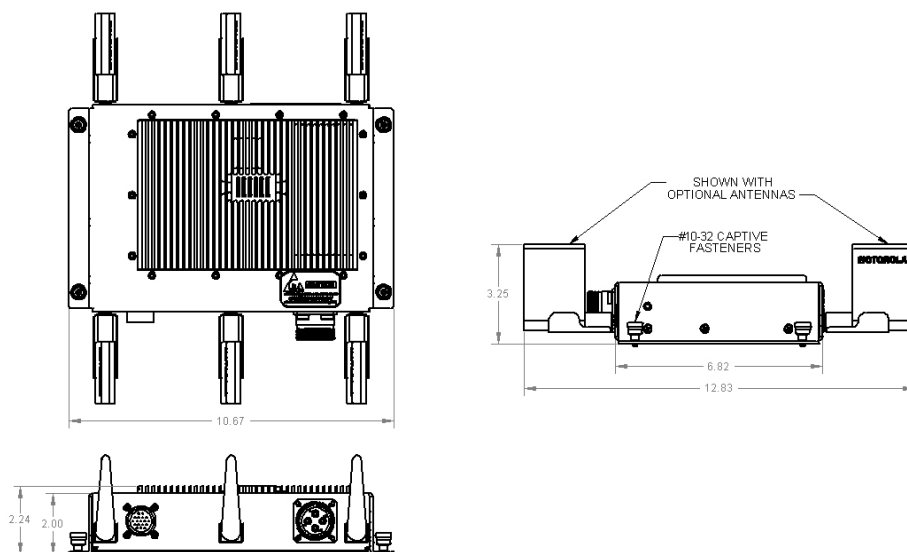


- Backwards compatible to 802.11 a/b/g standards
- Can operate as a Cabin Wireless LAN Unit (CWLU) and Terminal Wireless LAN Unit (TWLU)
- ARINC 763 compliant
- Discrete I/O to control remote ON/OFF and RF enable/disable
- Managed Access Point Solution software
- Two dual-band (2.4 GHz and 5 GHz) radios
- 2 x 1000BT Ethernet interface
- Designed for reduced size, weight and cost
- 360-800Hz, 115VAC Input Power, I-Phase
- Qualified to DO-160E (pending)
- Options for integrated Ethernet Switch, Power Over Ethernet

AP Avionx's new *Cab-n-Connect* access point takes advantage of the recently approved IEEE 802.11n specification, which increases maximum throughput to wireless clients from 54mbps to over 300mbps. Based on Motorola's award winning AP-7131 802.11a/b/g/n enterprise-grade access point, *Cab-n-Connect* provides secure wireless connectivity for commercial airlines and general aviation. The unit supports simultaneous dual radio opera-

tion (2.4GHz and 5GHz), is compliant to the I/O requirements of ARINC 763, and can operate in the cabin wireless LAN or terminal wireless LAN modes. When compared to other CWAPs available on the market, *Cab-n-Connect* offers reduced size, weight and power and is priced to meet the competitive needs of our customers. FAA certification (DO-160) is in process with approval expected by April 2010.

Dimensions



CWAP Specifications

RADIO OPERATION

- 802.11n Capabilities
- Simultaneous, dual radio operation (1x 802.11 b/g/n, 1x 802.11a/n)
- 3 x 3 MIMO
- Minimum 300 Mbps Data Rates per Radio
- Frequency Bands: 2.4 – 2.484GHz; 5.150 – 5.850GHz
- Max. Transmit Power: 20dB

I/O

- Ethernet: 2x 10/100/1000Base-T (Auto-sensing)
- Console port: RS-232
- Discretes:
 - Input: Radio Disable/Enable; Power Supply On/Off
 - Output: Power Supply Status; Radio Status

I/O CONNECTORS

- J1: Main Power, Discretes, Console (MS3112E14-18P)
- J2: Ethernet: 4-way Quadax (Tyco – 1738974-1)
- J3-J8: 6x SMA-RP

TOTAL POWER: Less than 20W

OPERATING VOLTAGE: 115Vac/360-800 Hz. with/200msec Hold-up

DIMENSIONS: Less than ARINC 763

WEIGHT: 4.1 lbs

RTCA/DO-160E QUALIFICATION



10864 Thornmint Road
San Diego, CA 92127
Phone: 858.674.2850
Fax: 858.674.2869
www.apavionx.com